



# Inclination sensor INX360DH-F199-B30-2V15

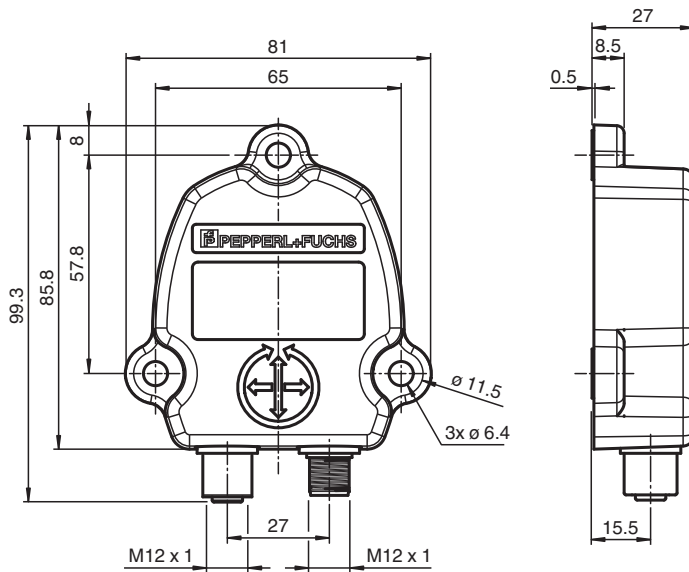
- Sturdy housing
- High accuracy of  $\leq \pm 0,15^\circ$
- Communication via MODBUS RTU
- 1-axis with  $360^\circ$  measuring range



## Function

This inclination sensor has a MODBUS RTU interface. With its sturdy housing and its high accuracy, it is ideally suited for applications in the fields of solar, wind or mobile equipment.

## Dimensions



## Technical Data

### General specifications

Type	Inclination sensor, 1-axis
Time delay before availability	320 ms
Measurement range	0 ... 360 °
Absolute accuracy	$\leq \pm 0.15^\circ$
Response delay	$\leq 25$ ms

Release date: 2021-03-12 Date of issue: 2021-03-12 Filename: 324836\_eng.pdf

Refer to "General Notes Relating to Pepperl+Fuchs Product Information".

Pepperl+Fuchs Group  
www.pepperl-fuchs.com

USA: +1 330 486 0001  
fa-info@us.pepperl-fuchs.com

Germany: +49 621 776 1111  
fa-info@de.pepperl-fuchs.com


Singapore: +65 6779 9091  
fa-info@sg.pepperl-fuchs.com

**PF** PEPPERL+FUCHS

## Technical Data

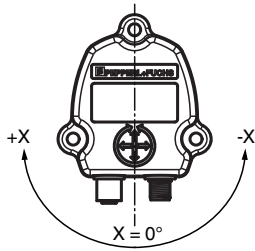
Resolution		≤ 0.01 °
Temperature influence		≤ 0.004 °/K
<b>Functional safety related parameters</b>		
MTTF <sub>d</sub>		900 a at 40 °C
Mission Time (T <sub>M</sub> )		20 a
Diagnostic Coverage (DC)		0 %
<b>Electrical specifications</b>		
Operating voltage	U <sub>B</sub>	4.5 ... 30 V DC
No-load supply current	I <sub>0</sub>	≤ 100 mA at 5 V DC ≤ 25 mA at 24 V DC
<b>Interface</b>		
Interface type		MODBUS RTU
Node ID		1 ... 247 , programmable , factory setting 127 decimal
Transfer rate		2.4 ... 115200 kBit/s , programmable in 7 steps , factory setting 19,2 kBit/s
Data format		even parity, 1 start bit, 1 stop bit, 8 data bits
Output driver		line driver RS485
<b>Compliance with standards and directives</b>		
Standard conformity		
Noise immunity		EN 61000-6-2
Emitted interference		EN 61000-6-4
Shock and impact resistance		DIN EN 60068-2-27, 100 g, 6 ms
Vibration resistance		DIN EN 60068-2-6, 20 g, 10 ... 2000 Hz
<b>Ambient conditions</b>		
Ambient temperature		-40 ... 85 °C (-40 ... 185 °F)
Storage temperature		-40 ... 85 °C (-40 ... 185 °F)
<b>Mechanical specifications</b>		
Connection type		5-pin, M12 x 1 connector , A-coded 5-pin, M12 x 1 socket , A-coded
Housing material		aluminum, corrosion-resistant
Degree of protection		IP68 / IP69
Mass		approx. 200 g

## Accessories

	<b>V15S-T-CAN/DN-V15</b>	Y-Splitter, M12 socket on M12 connector/socket
---	--------------------------	--

**Mounting**

**X-Orientation**



**Connection**

Signal	Bus Out, 5-pin, M12 x 1 socket	Bus In, 5-pin, M12 x 1 connector
n. c.	1	1
+U <sub>b</sub>	2	2
GND	3	3
RS485 A +	4	4
RS485 B -	5	5
Pinout		

Release date: 2021-03-12 Date of issue: 2021-03-12 Filename: 324836\_eng.pdf

Refer to "General Notes Relating to Pepperl+Fuchs Product Information".