



**Model number**

**WCS3B-LS221S**

Read head, RS-485 interface, with RS-485 termination resistor

**Features**

- RS-485 interface
- Non-contact, absolute position encoder
- Automatic detection of dirt accumulation
- Speed transfer

**Accessories**

**WCS3B-PL2**

Transparent protective case and seal for WCS3B reader

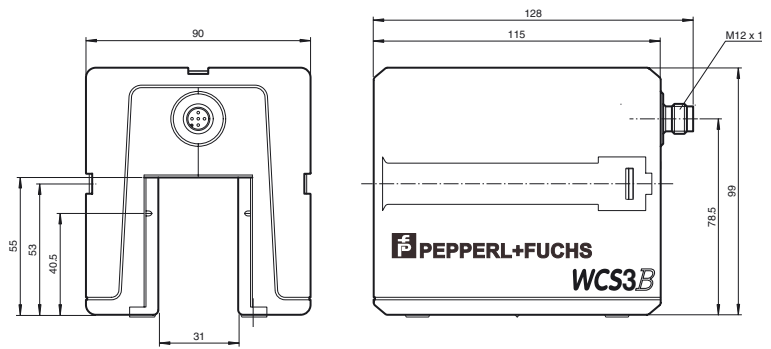
**WCS-MP1**

Mounting plate for reading heads WCS2 and WCS3

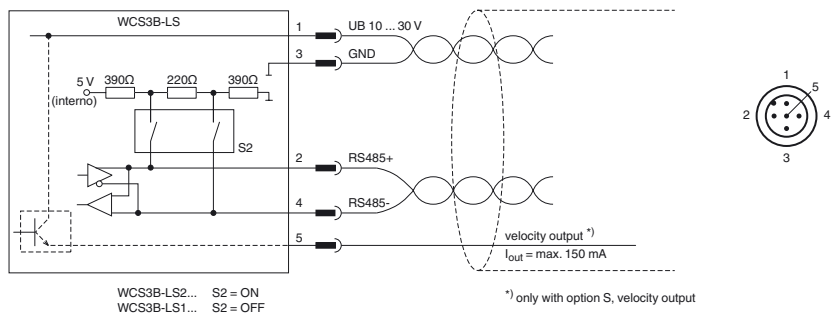
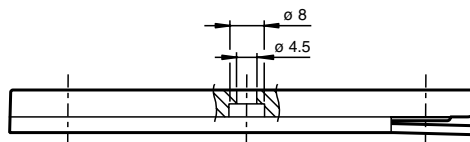
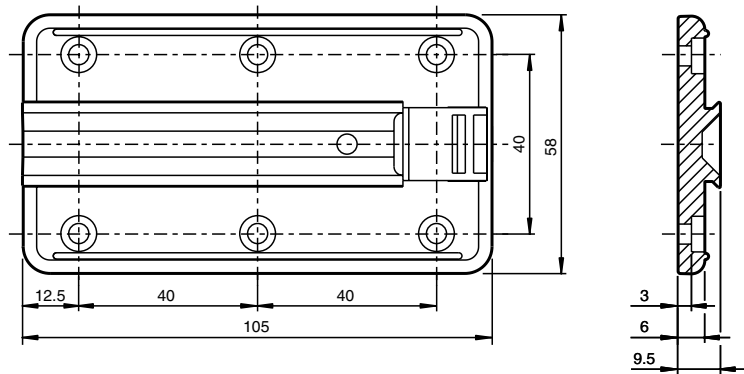
**Note**

with RS-485 interface

**Dimensions**



**Mounting plate**



**Technical data**

**General specifications**

Passage speed	v	≤ 12.5 m/s
Measuring range		max. 314.5 m
Free tolerances to code rail		horizontal: 31 mm ( ± 15.5 mm ) vertical: 28 mm ( ± 14 mm )
Resolution		± 0.4 mm ( 1,250 positions/m )

Release date: 2019-08-21 14:14 Date of issue: 2019-08-21 199290-0016\_eng.xml

Refer to "General Notes Relating to Pepperl+Fuchs Product Information".

Pepperl+Fuchs Group  
www.pepperl-fuchs.com

USA: +1 330 486 0001  
fa-info@us.pepperl-fuchs.com

Germany: +49 621 776 1111  
fa-info@de.pepperl-fuchs.com

Singapore: +65 6779 9091  
fa-info@sg.pepperl-fuchs.com

**PEPPERL+FUCHS**

<b>Functional safety related parameters</b>		
MTTF <sub>d</sub>		198 a
Mission Time (T <sub>M</sub> )		20 a
Diagnostic Coverage (DC)		0 %
<b>Indicators/operating means</b>		
Operation indicator		LED green: power on
Velocity indicator		LED yellow off, if speed limit is exceeded
Error indicator		LED red flashing: read head outside of code rail solid on: internal diagnostic test failed
<b>Electrical specifications</b>		
Operating voltage	U <sub>B</sub>	10 ... 30 V DC
Power consumption	P <sub>0</sub>	2 VA
<b>Interface</b>		
Interface type		RS 485 interface
Data output code		binary code
Protocol		1 , 2
Transfer rate		62.5 kBit/s
Address		0
Termination		with RS 485 termination
<b>Output</b>		
Output velocity		switch output short-circuit protected
Switching voltage		Operating voltage
<b>Standard conformity</b>		
Emitted interference		DIN EN 61000-6-4 , DIN EN 12015
Noise immunity		DIN EN 61000-6-2 , DIN EN 12016
Shock resistance		DIN EN 60068-2-27, half sine 30 g, 18 ms
Vibration resistance		DIN EN 60068-2-6, sine, 5 g, 10 - 2000 Hz, 10 cycles
<b>Ambient conditions</b>		
Operating temperature		0 ... 60 °C (32 ... 140 °F)
Storage temperature		-40 ... 85 °C (-40 ... 185 °F)
Relative humidity		90 % , noncondensing
<b>Mechanical specifications</b>		
Connection type		5-pin, M12 x 1 connector
Degree of protection		IP54
Material		
Housing		ABS , PC (Polycarbonate)
Mass		500 g
<b>General information</b>		
Ordering information		Mounting plate included with delivery