



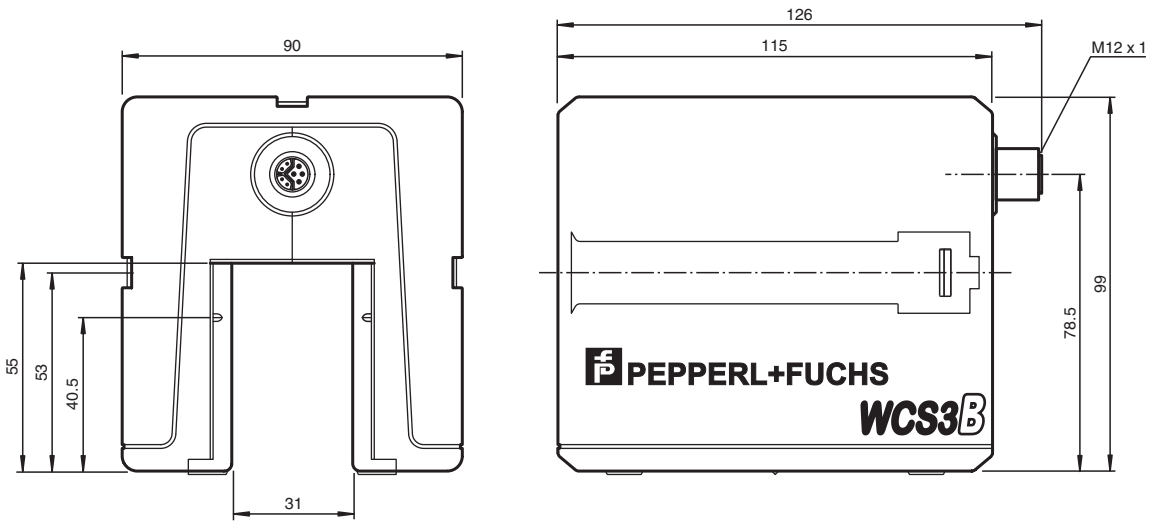
## Read head WCS3B-LS510

- Non-contact, absolute position encoder
- Output of position and speed
- Automatic detection of dirt accumulation
- Unicast communication
- A shared connection for supply and Ethernet

Read head with EtherNet/IP interface



### Dimensions



Release date: 2021-01-27 Date of issue: 2021-01-27 Filename: 262006\_eng.pdf

Refer to "General Notes Relating to Pepperl+Fuchs Product Information".

Pepperl+Fuchs Group  
www.pepperl-fuchs.com

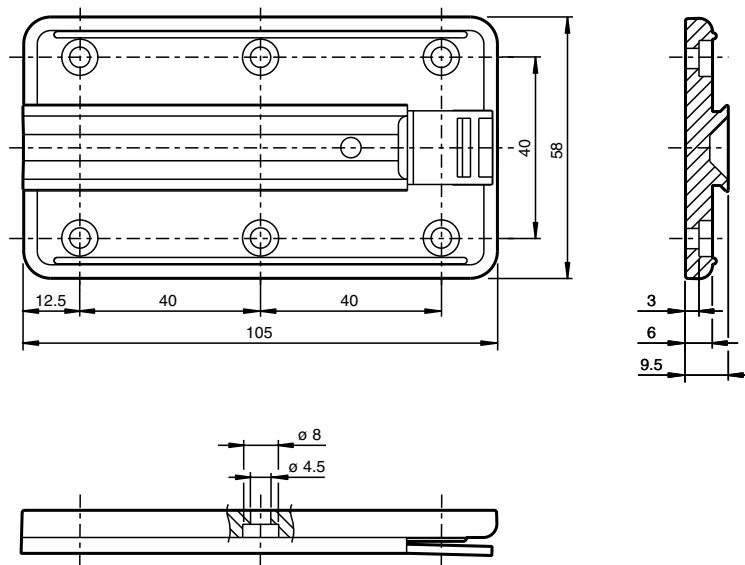
USA: +1 330 486 0001  
fa-info@us.pepperl-fuchs.com

Germany: +49 621 776 1111  
fa-info@de.pepperl-fuchs.com

Singapore: +65 6779 9091  
fa-info@sg.pepperl-fuchs.com

 **PEPPERL+FUCHS**

## Dimensions



## Technical Data

### General specifications

Passage speed	v	≤ 12.5 m/s
Measuring range		max. 314.5 m
Free tolerances to code rail		horizontal: 31 mm (± 15.5 mm) vertical: 28 mm (± 14 mm)
Resolution		± 0.4 mm (1,250 positions/m)

### Functional safety related parameters

MTTF <sub>d</sub>		181 a
Mission Time (T <sub>M</sub> )		20 a
Diagnostic Coverage (DC)		0 %

### Indicators/operating means

LED green		ETHERNET link To: ETHERNET connection OK
LED yellow		ETHERNET Bus Activity Flashing: data transfer
LED red		ETHERNET communication To: communication error
LED red/green		Status indication Green: code rail detected, normal function Red: system error Flashing red: no code rail detected

### Electrical specifications

Operating voltage	U <sub>B</sub>	10 ... 30 V DC
Power consumption	P <sub>0</sub>	6 W

### Interface

Interface type		100 BASE-TX
Data output code		binary code
Protocol		EtherNet/IP
Transfer rate		100 MBit/s

### Standard conformity

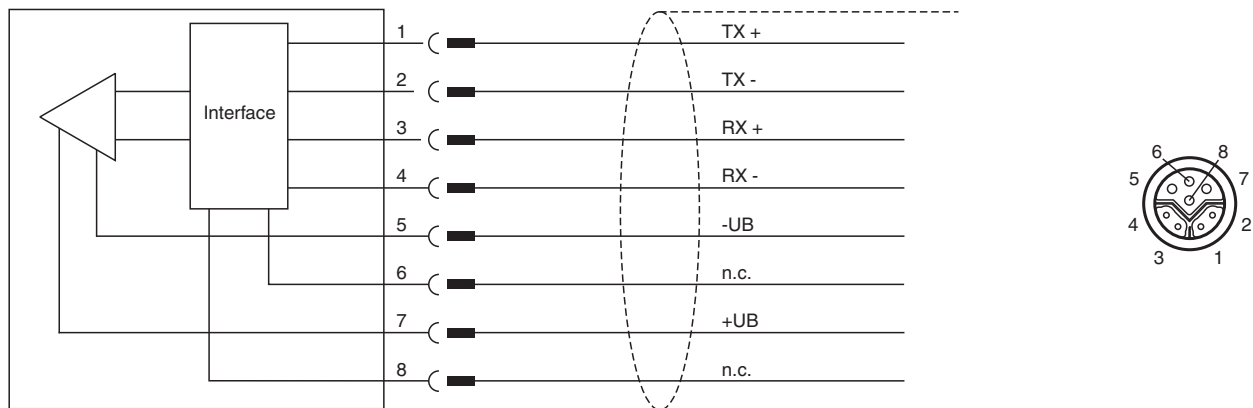
Emitted interference		EN 61000-6-4:2007+A1:2011
Noise immunity		EN 61000-6-2:2005

Release date: 2021-01-27 Date of issue: 2021-01-27 Filename: 262006\_eng.pdf

## Technical Data

Shock resistance	EN 60068-2-27:2009
Vibration resistance	EN 60068-2-6:2008
<b>Approvals and certificates</b>	
CSA approval	cCSAus Certified, General Purpose Class 2 power source
CCC approval	CCC approval / marking not required for products rated ≤36 V
<b>Ambient conditions</b>	
Operating temperature	0 ... 60 °C (32 ... 140 °F)
Storage temperature	-40 ... 85 °C (-40 ... 185 °F)
Relative humidity	90 % , noncondensing
<b>Mechanical specifications</b>	
Connection type	8-pin, M12 x 1 connector socket, Y-coded
Cable gland	Max. tightening torque of the cap nut: ≤ 0.4 Nm
Degree of protection	IP54
Material	
Housing	ABS , PC (Polycarbonate)
Mass	500 g
<b>General information</b>	
Ordering information	Mounting plate included with delivery

## Connection








## Accessories

	<b>WCS3B-PL2</b>	Transparent protective case and seal for WCS3B reader
	<b>V19SY-G-BK2M-PUR-ABG</b>	Male single-ended cordset, M12, 8-pin, Y encryption, PUR cable, shielded
	<b>V19SY-G-BK5M-PUR-ABG</b>	Male single-ended cordset, M12, 8-pin, Y encryption, PUR cable, shielded
	<b>WCS-MP1</b>	Mounting plate for reading heads WCS2 and WCS3
	<b>V19SY-G-BK10M-PUR-ABG</b>	Male single-ended cordset, M12, 8-pin, Y encryption, PUR cable, shielded

Release date: 2021-01-27 Date of issue: 2021-01-27 Filename: 262006\_eng.pdf

## Accessories

	<b>V45-G</b>	Field-attachable male connector
	<b>V45-GP</b>	Field-attachable "Push-Pull" connector
	<b>V15S-W-ABG-PG9</b>	Cable connector, M12, 5-pin, shielded, non pre-wired
	<b>V15S-G-ABG-PG9</b>	Cable connector, M12, 5-pin, shielded, non pre-wired
	<b>WCS-V45DIN-8P</b>	Terminal Block