



**Model number**

**WCS2B-LS311H**

Reading head, SSI interface, Gray code

**Features**

- SSI interface
- Non-contact, absolute position encoder
- Automatic detection of dirt accumulation
- Extended temperature range

**Accessories**

**WCS-MP1**

Mounting plate for reading heads WCS2 and WCS3

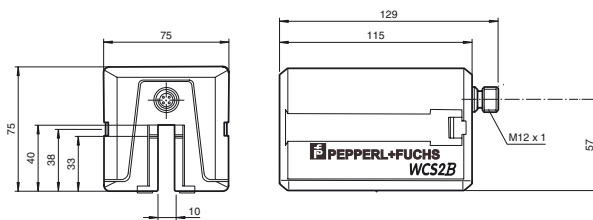
**WCS2-PL2**

Transparent protective case and seal for WCS2 reader

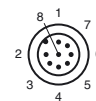
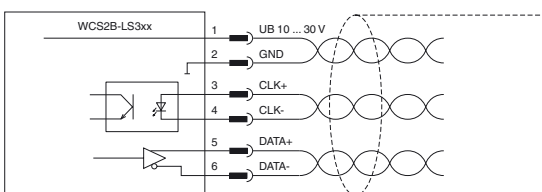
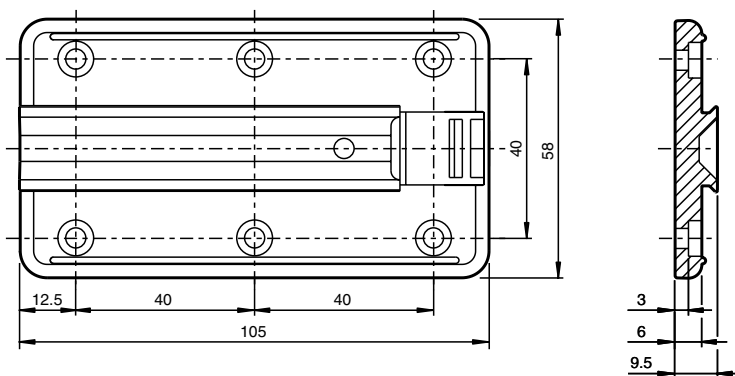
**Note**

with SSI interface

**Dimensions**



**Mounting plate**



**Technical data**

**General specifications**

Passage speed	v	≤ 12.5 m/s
Measuring range		max. 327 m
Free tolerances to code rail		horizontal: 10 mm (± 5 mm) vertical: 10 mm (± 5 mm)
Resolution		± 0.42 mm (1,200 positions/m)

**Functional safety related parameters**

MTTF <sub>d</sub>	170 a
Mission Time (T <sub>M</sub> )	10 a
Diagnostic Coverage (DC)	0 %

**Electrical specifications**

Operating voltage	U <sub>B</sub>	10 ... 30 V DC
Power consumption	P <sub>0</sub>	9 VA at 24 V DC

**Interface**

Interface type	SSI interface
Data output code	Gray code , 25 bit

Release date: 2019-08-21 14:13 Date of issue: 2019-08-21 200779-0016\_eng.xml

Clock frequency	100 ... 1000 kHz
Pause time	tp ≥ 20 μs double request possible, if t <sub>p</sub> ≤ 10 μs
<b>Standard conformity</b>	
Emitted interference	DIN EN 61000-6-4
Noise immunity	DIN EN 61000-6-2
Shock resistance	DIN EN 60068-2-27, half sine 30 g, 18 ms
Vibration resistance	DIN EN 60068-2-6, sine, 5 g, 10 - 2000 Hz, 10 cycles
<b>Ambient conditions</b>	
Operating temperature	-40 ... 60 °C (-40 ... 140 °F)
Storage temperature	-40 ... 85 °C (-40 ... 185 °F)
Relative humidity	90 % , noncondensing
<b>Mechanical specifications</b>	
Connection type	8-pin, M12 x 1 connector
Degree of protection	IP54
<b>Material</b>	
Housing	ABS , Polycarbonate , Polyamide (PA)
Mass	500 g
<b>General information</b>	
Ordering information	Mounting plate included with delivery