



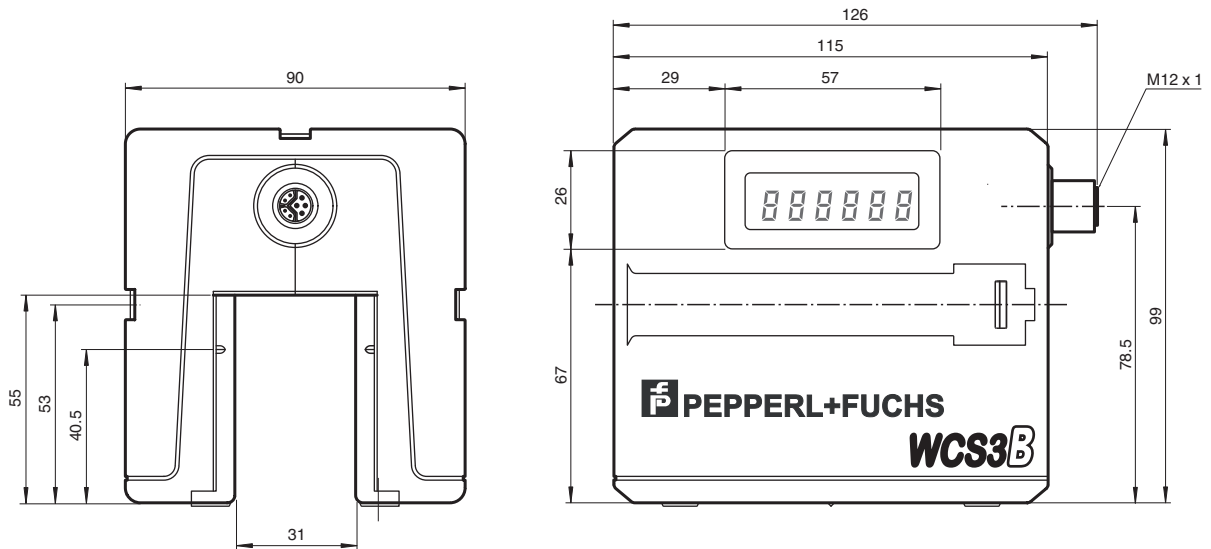
Read head WCS3B-LS510D

- Non-contact, absolute position encoder
- Output of position and speed
- Automatic detection of dirt accumulation
- Unicast communication
- A shared connection for supply and Ethernet
- Integrated display module

Read head with EtherNet/IP interface



Dimensions



Release date: 2021-01-27 Date of issue: 2021-01-27 Filename: 304867_eng.pdf

Refer to "General Notes Relating to Pepperl+Fuchs Product Information".

Pepperl+Fuchs Group
www.pepperl-fuchs.com

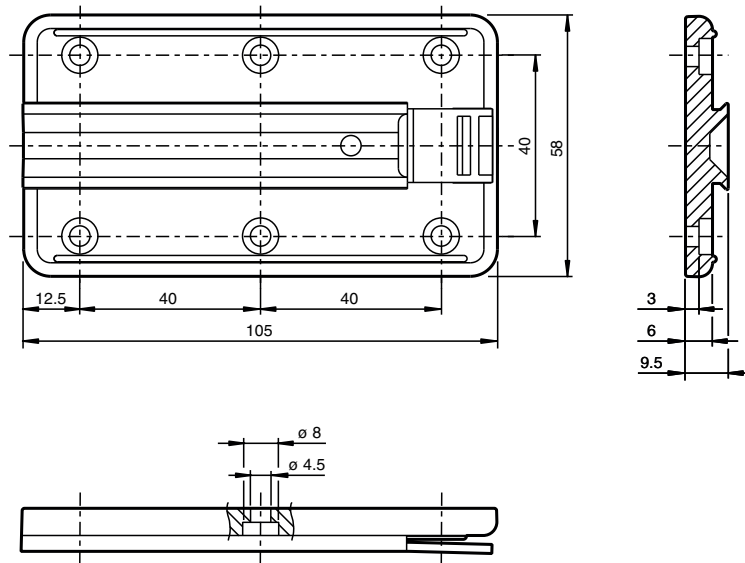
USA: +1 330 486 0001
fa-info@us.pepperl-fuchs.com

Germany: +49 621 776 1111
fa-info@de.pepperl-fuchs.com

Singapore: +65 6779 9091
fa-info@sg.pepperl-fuchs.com

PF PEPPERL+FUCHS

Dimensions



Technical Data

General specifications

Passage speed	v	≤ 12.5 m/s
Measuring range		max. 314.5 m
Free tolerances to code rail		horizontal: 31 mm (± 15.5 mm) vertical: 28 mm (± 14 mm)
Resolution		± 0.4 mm (1,250 positions/m)

Functional safety related parameters

MTTF _d		181 a
Mission Time (T _M)		20 a
Diagnostic Coverage (DC)		0 %

Indicators/operating means

Display		Display module, 6-digit, adaptable to installation position
LED green		ETHERNET link To: ETHERNET connection OK
LED yellow		ETHERNET Bus Activity Flashing: data transfer
LED red		ETHERNET communication To: communication error
LED red/green		Status indication Green: code rail detected, normal function Red: system error Flashing red: no code rail detected

Electrical specifications

Operating voltage	U _B	10 ... 30 V DC
Power consumption	P ₀	6 W

Interface

Interface type		100 BASE-TX
Data output code		binary code
Protocol		EtherNet/IP
Transfer rate		100 MBit/s

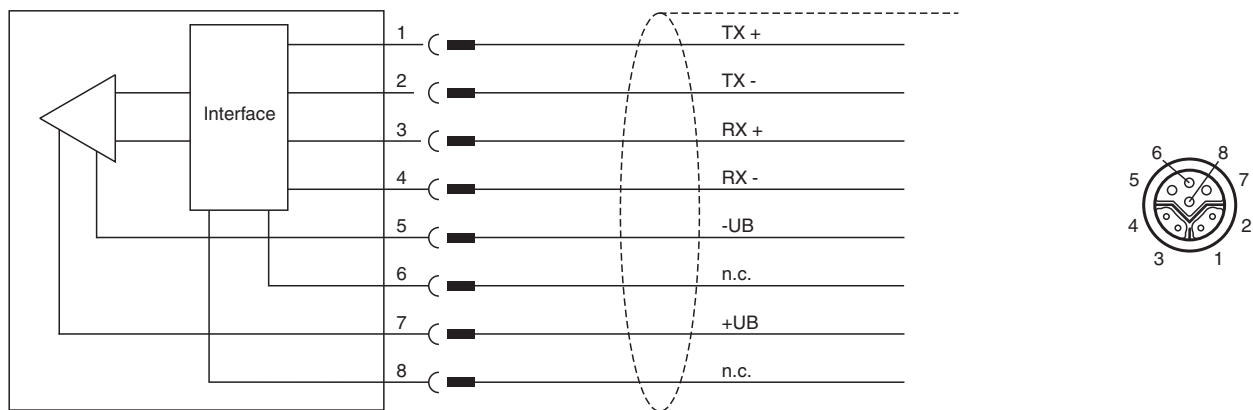
Standard conformity

Emitted interference		EN 61000-6-4:2007+A1:2011
----------------------	--	---------------------------






Technical Data

Noise immunity	EN 61000-6-2:2005
Shock resistance	EN 60068-2-27:2009
Vibration resistance	EN 60068-2-6:2008
Approvals and certificates	
CSA approval	cCSAus Certified, General Purpose Class 2 power source
CCC approval	CCC approval / marking not required for products rated ≤36 V
Ambient conditions	
Operating temperature	0 ... 60 °C (32 ... 140 °F)
Storage temperature	-40 ... 85 °C (-40 ... 185 °F)
Relative humidity	90 % , noncondensing
Mechanical specifications	
Connection type	8-pin, M12 x 1 connector socket, Y-coded
Cable gland	Max. tightening torque of the cap nut: ≤ 0.4 Nm
Degree of protection	IP54
Material	
Housing	ABS , PC (Polycarbonate)
Mass	500 g
General information	
Ordering information	Mounting plate included with delivery

Connection








Accessories

	V19SY-G-BK5M-PUR-ABG	Male single-ended cordset, M12, 8-pin, Y encryption, PUR cable, shielded
	V19SY-G-BK2M-PUR-ABG	Male single-ended cordset, M12, 8-pin, Y encryption, PUR cable, shielded
	WCS3B-PL2	Transparent protective case and seal for WCS3B reader
	WCS-MP1	Mounting plate for reading heads WCS2 and WCS3
	V19SY-G-BK10M-PUR-ABG	Male single-ended cordset, M12, 8-pin, Y encryption, PUR cable, shielded

Release date: 2021-01-27 Date of issue: 2021-01-27 Filename: 304867_eng.pdf

Accessories

	V45-G	Field-attachable male connector
	V45-GP	Field-attachable "Push-Pull" connector
	V15S-W-ABG-PG9	Cable connector, M12, 5-pin, shielded, non pre-wired
	V15S-G-ABG-PG9	Cable connector, M12, 5-pin, shielded, non pre-wired
	WCS-V45DIN-8P	Terminal Block