



**Model number**

**WCS3R-LS310-Y211384**

Reading head, SSI interface, binary code

**Features**

- SSI interface
- Non-contact, absolute position encoder
- Automatic detection of dirt accumulation

**Accessories**

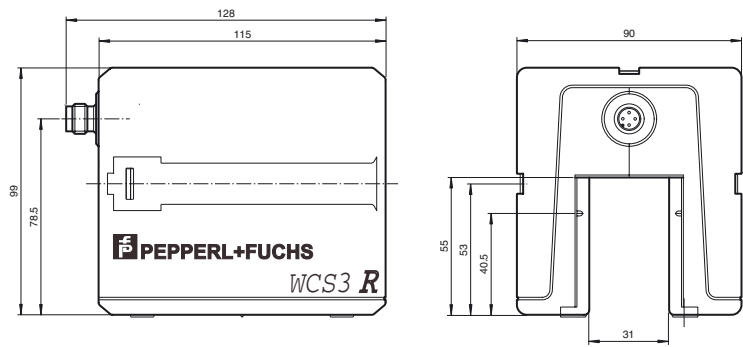
**WCS-MP1**

Mounting plate for reading heads WCS2 and WCS3

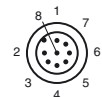
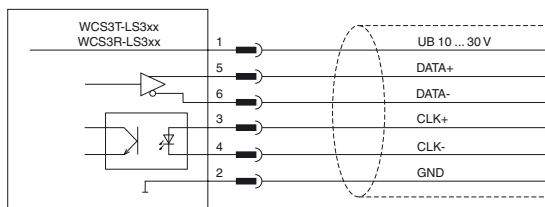
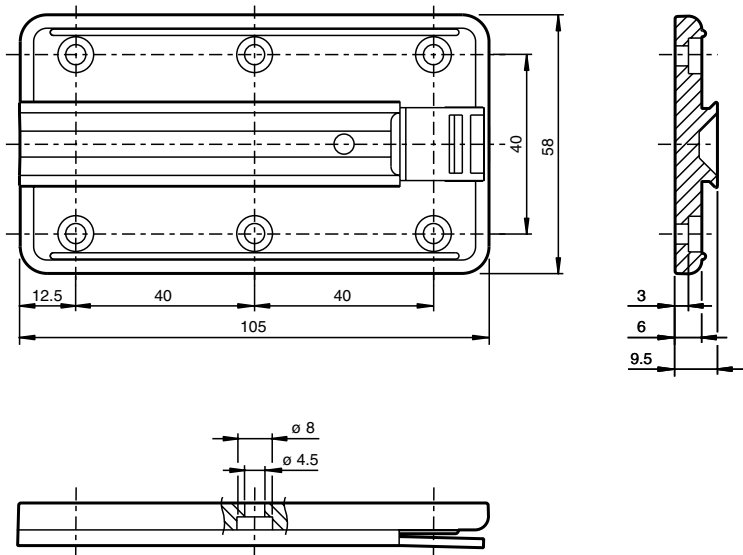
**Note**

with SSI interface

**Dimensions**



**Mounting plate**



**Technical data**

**General specifications**

Passage speed	v	≤ 4 m/s
Measuring range		max. 152 m
Free tolerances to code rail		horizontal: 31 mm (± 15.5 mm) vertical: 28 mm (± 14 mm)
Resolution		± 0.6 mm (833.3 positions/m)

Release date: 2015-02-27 09:34 Date of issue: 2015-02-27 211384\_eng.xml

**Indicators/operating means**

Operation indicator	LED green: power on
Data flow indicator	LED yellow: data communication active
Error indicator	LED red flashing: read head outside of code rail solid on: internal diagnostic test failed

**Electrical specifications**

Operating voltage	$U_B$	10 ... 30 V DC
Power consumption	$P_0$	2 VA

**Interface**

Interface type	SSI interface
Data output code	binary code , 25 bit
Clock frequency	100 ... 1000 kHz
Pause time	$t_p$ $\geq 20 \mu s$ double request possible, if $t_p \leq 10 \mu s$

**Standard conformity**

Emitted interference	DIN EN 61000-6-4
Noise immunity	DIN EN 61000-6-2
Shock resistance	DIN EN 60068-2-27, half sine 30 g, 18 ms
Vibration resistance	DIN EN 60068-2-6, sine, 5 g, 10 - 2000 Hz, 10 cycles

**Ambient conditions**

Operating temperature	0 ... 60 °C (32 ... 140 °F)
Storage temperature	-40 ... 85 °C (-40 ... 185 °F)
Relative humidity	90 % , noncondensing

**Mechanical specifications**

Connection type	8-pin, M12 x 1 connector
Degree of protection	IP54
Material	
Housing	ABS , PC (Polycarbonate)
Mass	500 g

**General information**

Ordering information	Mounting plate included with delivery
----------------------	---------------------------------------