



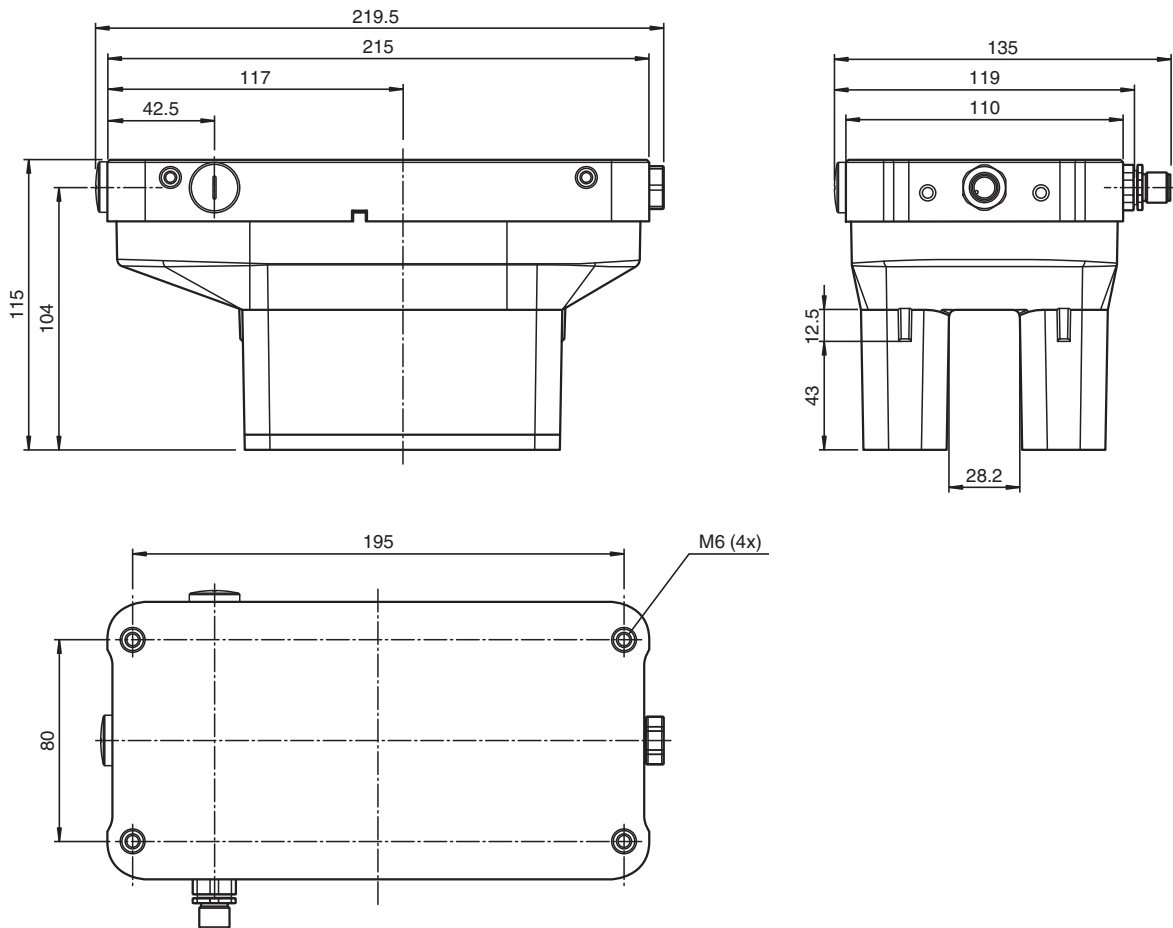
## Read head WCS3B-LS221H-OL

- For outdoor use
- Non-contact, absolute position encoder
- Extended temperature range
- Automatic detection of dirt accumulation
- RS-485 interface
- Freely selectable cable outlet due to rotating insert

Read head, RS-485 interface, with RS-485 termination resistor



### Dimensions



### Technical Data

#### General specifications

Passage speed	v	≤ 12.5 m/s
Measuring range		max. 314.5 m

Release date: 2020-10-08 Date of issue: 2020-10-08 Filename: 199290-0047\_eng.pdf

Refer to "General Notes Relating to Pepperl+Fuchs Product Information".

Pepperl+Fuchs Group  
www.pepperl-fuchs.com

USA: +1 330 486 0001  
fa-info@us.pepperl-fuchs.com

Germany: +49 621 776 1111  
fa-info@de.pepperl-fuchs.com

Singapore: +65 6779 9091  
fa-info@sg.pepperl-fuchs.com

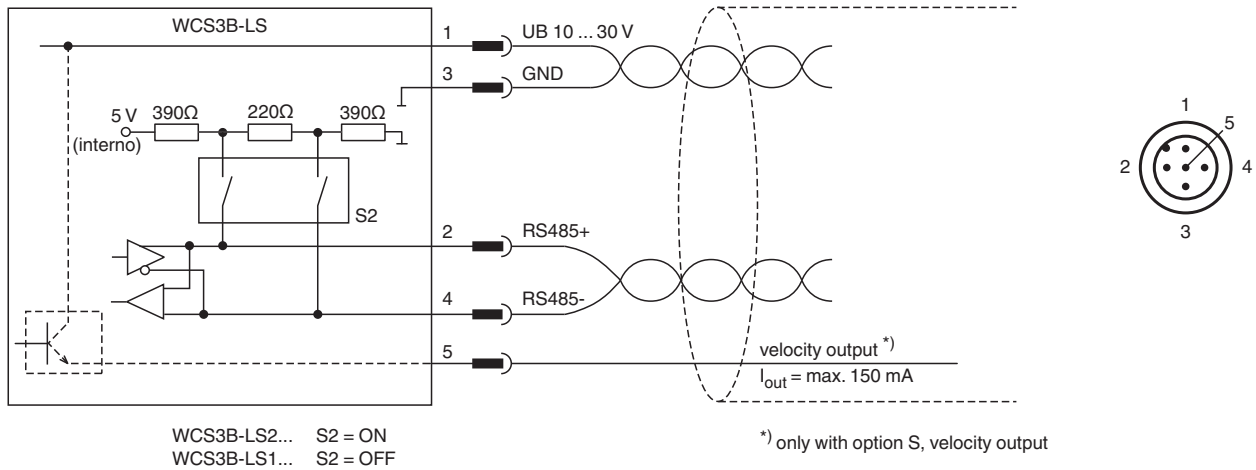
**PF** PEPPERL+FUCHS

## Technical Data

Free tolerances to code rail		horizontal: 28 mm ( ± 14 mm ) vertical: 25.5 mm ( +11.5 mm/-14 mm )
Resolution		± 0.4 mm (1,250 positions/m)
<b>Functional safety related parameters</b>		
MTTF <sub>d</sub>		60 a
Mission Time (T <sub>M</sub> )		10 a
Diagnostic Coverage (DC)		0 %
<b>Indicators/operating means</b>		
Operation indicator		LED green: power on
Data flow indicator		LED yellow: data communication active
Error indicator		LED red flashing: read head outside of code rail solid on: internal diagnostic test failed
<b>Electrical specifications</b>		
Operating voltage	U <sub>B</sub>	10 ... 30 V DC
Power consumption	P <sub>0</sub>	11 VA at 24 V DC
<b>Interface</b>		
Interface type		RS 485 interface
Data output code		binary code
Protocol		1 , 2
Transfer rate		62.5 kBit/s
Address		0
Termination		with RS 485 termination
<b>Standard conformity</b>		
Emitted interference		DIN EN 61000-6-4 , DIN EN 12015
Noise immunity		DIN EN 61000-6-2 , DIN EN 12016
Shock resistance		DIN EN 60068-2-27, half sine 30 g, 18 ms
Vibration resistance		DIN EN 60068-2-6, sine, 5 g, 10 - 2000 Hz, 10 cycles
<b>Approvals and certificates</b>		
CSA approval		cCSAus Certified, General Purpose Class 2 power source
CCC approval		CCC approval / marking not required for products rated ≤36 V
<b>Ambient conditions</b>		
Operating temperature		-40 ... 60 °C (-40 ... 140 °F)
Storage temperature		-40 ... 85 °C (-40 ... 185 °F)
<b>Mechanical specifications</b>		
Connection type		5-pin, M12 x 1 connector
Degree of protection		IP67 / IP69
<b>Material</b>		
Housing		PET , PC (Polycarbonate)
Mass		1000 g
Note		The reader must not be operated without the protective housing!

Release date: 2020-10-08 Date of issue: 2020-10-08 Filename: 199290-0047\_eng.pdf

Connection



Accessories

	<b>WCS3B-OBP</b>	Stopping plugs For WCS3B-OP* housing
	<b>WCS3B-OPC</b>	Outdoor protective cover for WCS3B reader
	<b>WCS3B-OPH</b>	Outdoor protective housing for reader WCS3B

Release date: 2020-10-08 Date of issue: 2020-10-08 Filename: 199290-0047\_eng.pdf