



**Model number**

WCS3B-LS410H

**Features**

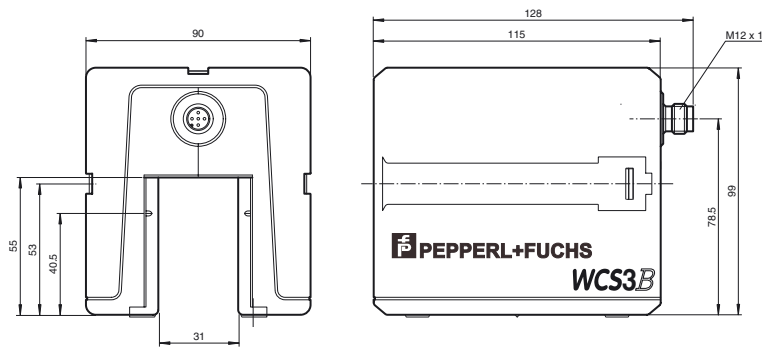
- CANopen interface
- Non-contact, absolute position encoder
- Automatic detection of dirt accumulation
- Extended temperature range

**Accessories**

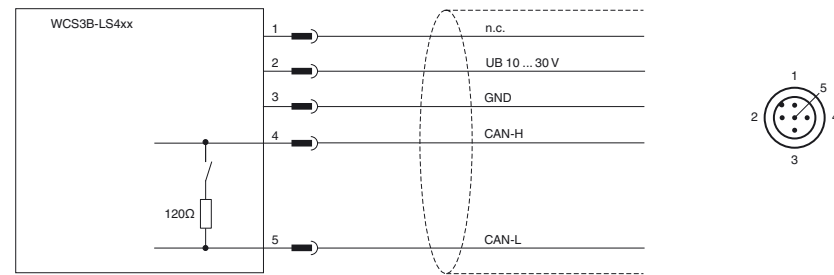
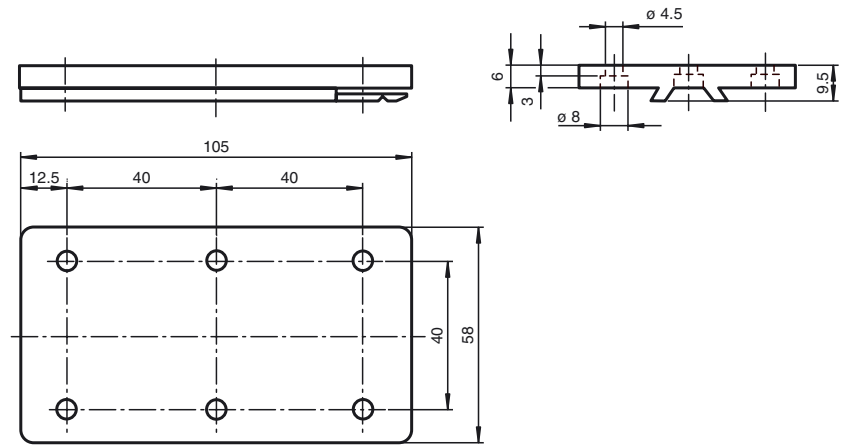
**WCS3B-PL2**  
Transparent protective case and seal for WCS3B reader

**WCS-MP1**  
Mounting plate for reading heads WCS2 and WCS3

**Dimensions**



**Mounting plate**



**Technical data**

General specifications		
Passage speed	v	≤ 12.5 m/s
Measuring range		max. 314.5 m
Free tolerances to code rail		horizontal: 31 mm ( ± 15.5 mm ) vertical: 28 mm ( ± 14 mm )
Resolution		± 0.4 mm (1,250 positions/m)
Functional safety related parameters		
MTTF <sub>d</sub>		41 a
Mission Time (T <sub>M</sub> )		10 a
Diagnostic Coverage (DC)		0 %
Indicators/operating means		
Operation indicator		LED green: power on
Data flow indicator		LED yellow: data communication active

Release date: 2019-08-21 14:13 Date of issue: 2019-08-21 199290-0041\_eng.xml

Error indicator	LED red flashing: read head outside of code rail solid on: internal diagnostic test failed
-----------------	--

**Electrical specifications**

Operating voltage	$U_B$	10 ... 30 V DC
Power consumption	$P_0$	11 VA at 24 V DC

**Interface**

Interface type	CANopen , galvanically isolated
Data output code	binary code
Transfer rate	max. 1 MBit/s
Termination	switchable

**Standard conformity**

Emitted interference	DIN EN 61000-6-4
Noise immunity	DIN EN 61000-6-2
Shock resistance	DIN EN 60068-2-27, half sine 30 g, 18 ms
Vibration resistance	DIN EN 60068-2-6, sine, 5 g, 10 - 2000 Hz, 10 cycles

**Ambient conditions**

Operating temperature	-40 ... 60 °C (-40 ... 140 °F)
Storage temperature	-40 ... 85 °C (-40 ... 185 °F)
Relative humidity	90 % , noncondensing

**Mechanical specifications**

Connection type	5-pin, M12 x 1 connector
Degree of protection	IP54
Material	
Housing	ABS , PC (Polycarbonate)
Mass	500 g

**General information**

Ordering information	Mounting plate included with delivery
----------------------	---------------------------------------