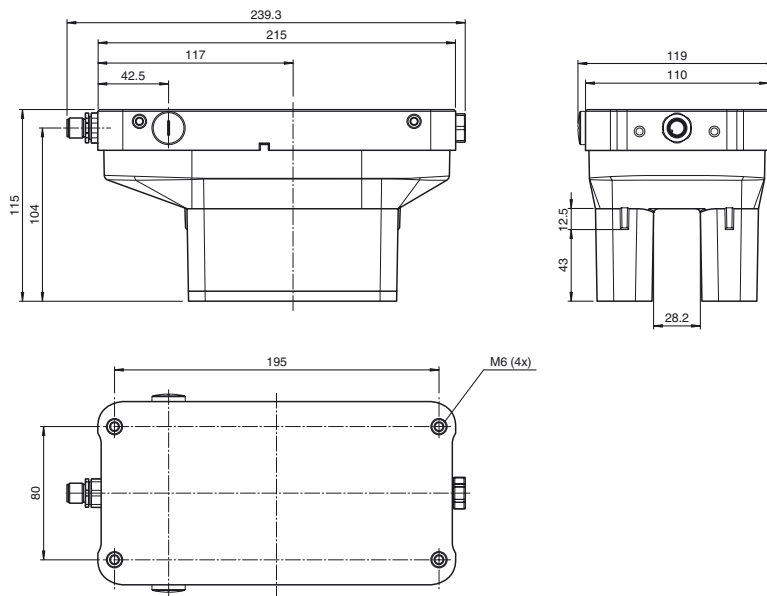




Dimensions



Model number

WCS3B-OPH

Outdoor protective housing for reader WCS3B

Features

- Accessory WCS3B
- Selectable connector position: left, middle, right
- SSI interface
- RS 485 interface
- CANopen interface

Accessories

WCS3B-OBP

Stopping plugs For WCS3B-OP* housing

Technical data

Mechanical specifications

Material	
Housing	PET , PC (Polycarbonate) Gasket: EPDM
Mass	750 g