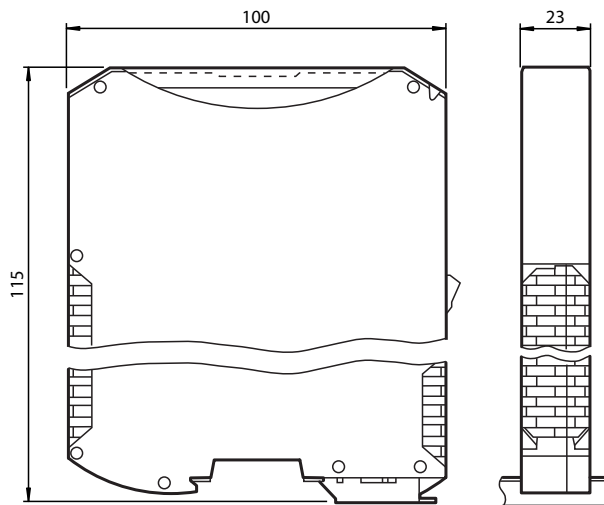


WCS interface module WCS-PNG410

- Up to 4 read heads can be connected
- DIN rail mounting
- Integrated switch
- PROFINET interface
- Measuring length max. 629 m



Dimensions



Technical Data

General specifications

Installation DIN rail mounting

Functional safety related parameters

MTTF_d 180 a
 Mission Time (T_M) 10 a
 Diagnostic Coverage (DC) 0 %

Electrical specifications

Operating voltage U_B 10 ... 30 V DC
 Power consumption P₀ ≤ 3.6 W (without read heads)

Interface 1

Release date: 2020-05-11 Date of issue: 2020-09-30 Filename: 70100889_eng.pdf

Refer to "General Notes Relating to Pepperl+Fuchs Product Information".

Pepperl+Fuchs Group
www.pepperl-fuchs.com

USA: +1 330 486 0001
fa-info@us.pepperl-fuchs.com

Germany: +49 621 776 1111
fa-info@de.pepperl-fuchs.com

Singapore: +65 6779 9091
fa-info@sg.pepperl-fuchs.com

PEPPERL+FUCHS

Technical Data

Connection of	control system
Interface type	Ethernet; 100 BASE-TX
Protocol	PROFINET IO
Transfer rate	100 MBit/s
Data output format	binary code
Interface 2	
Connection of	control system
Interface type	Ethernet; 100 BASE-TX
Protocol	PROFINET IO
Transfer rate	100 MBit/s
Data output format	binary code
Interface 3	
Connection of	WCS read heads
Connectable read heads	WCS...-LS121 , WCS...-LS221 , WCS3B-LS1/2**ES with option ES (Extended Protocol up to 628 m)
Interface type	RS-485
Protocol	half duplex
Transfer rate	62.5 kBit/s
RS485 termination resistor	switchable
Refresh cycle of read head	1 ms / 10 ms (with extended WCS read head)
Standard conformity	
Emitted interference	EN 55011, cl. A: 2007
Noise immunity	EN 61000-6-2:2005
Approvals and certificates	
EAC conformity	TR CU 020/2011
CCC approval	CCC approval / marking not required for products rated ≤36 V
Ambient conditions	
Operating temperature	-25 ... 85 °C (-13 ... 185 °F) , no moisture condensation
Storage temperature	-40 ... 85 °C (-40 ... 185 °F)
Relative humidity	≤ 80 %
Mechanical specifications	
Connection type	Interface 1 & 2: RJ-45 socket, 8-pin Interface 3: terminal connection ≤ 2.5 mm ² Interface 4: Terminal connection, 2-pin
Housing width	23 mm
Housing height	100 mm (without plug-in screw connector) 111 mm (incl. plug-in screw connector)
Housing depth	115 mm
Degree of protection	IP20
Material	plastic
Installation position	any position
Mass	approx. 150 g

Release date: 2020-05-11 Date of issue: 2020-09-30 Filename: 70100889_eng.pdf

Refer to "General Notes Relating to Pepperl+Fuchs Product Information".

Pepperl+Fuchs Group
www.pepperl-fuchs.com

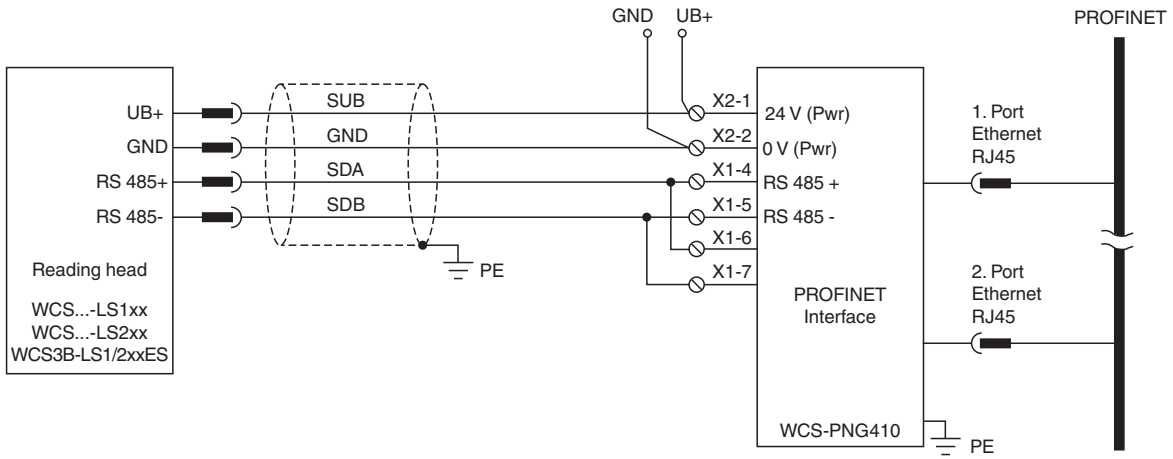
USA: +1 330 486 0001
fa-info@us.pepperl-fuchs.com

Germany: +49 621 776 1111
fa-info@de.pepperl-fuchs.com

Singapore: +65 6779 9091
fa-info@sg.pepperl-fuchs.com

 **PEPPERL+FUCHS**

Connection



Release date: 2020-05-11 Date of issue: 2020-09-30 Filename: 70100889_eng.pdf