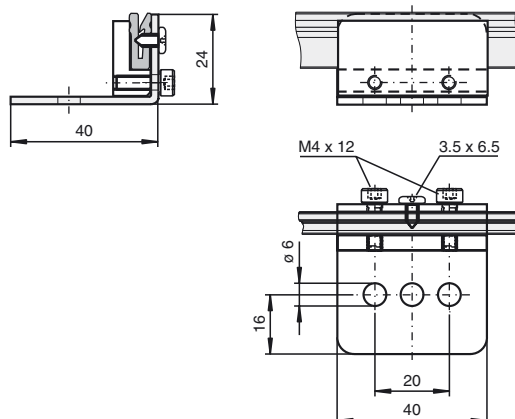




## Dimensions



### Model number

#### WCS-MB1-B-C

Fastening angle for screw connection, curve

### Features

- Mounting bracket for code rail, bend
- Supplied with M6 mounting screws
- Powder coated

### Matching system components

#### WCS3-CS70-M1-1000FT

Code rail, stainless steel

#### WCS2-CS55-L1

Laminate type, 55 mm

#### WCS2-CS55-M1

Stainless steel type, 55 mm

#### WCS2-CS70-L1

Laminate type, 70 mm

#### WCS2-CS70-M1

Stainless steel type, 70 mm

#### WCS3-CS70-L\*

Code rail, polyester laminate

#### WCS3-CS70-M1

Code rail, stainless steel

#### WCS-SP2

Stabilization profile

### Technical data

#### Ambient conditions

Ambient temperature -40 ... 100 °C (-40 ... 212 °F)

#### Mechanical specifications

Material thickness	2 mm
Material	Metal sheet (steel), zinc-plated , powder coated
Mass	85 g (without fastening screws)