



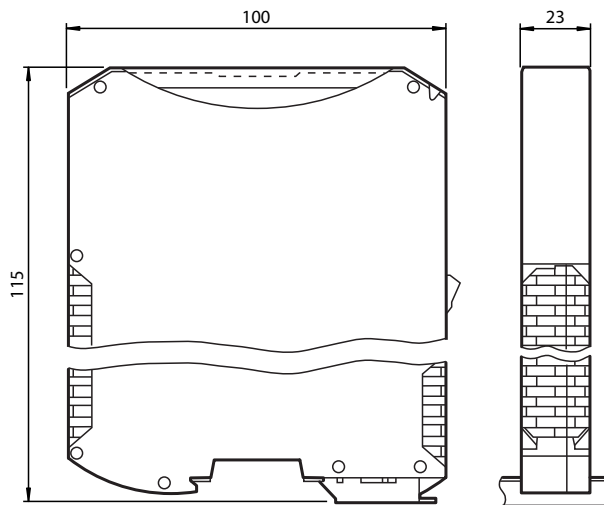
## WCS interface module WCS-ECG110

- Up to 4 read heads can be connected
- DIN rail mounting
- Integrated switch
- EtherCAT interface

WCS interface module with EtherCAT interface



### Dimensions



### Technical Data

#### General specifications

Installation DIN rail mounting

#### Functional safety related parameters

|                                |       |
|--------------------------------|-------|
| MTTF <sub>d</sub>              | 180 a |
| Mission Time (T <sub>M</sub> ) | 10 a  |
| Diagnostic Coverage (DC)       | 0 %   |

#### Electrical specifications

|                   |                |                              |
|-------------------|----------------|------------------------------|
| Operating voltage | U <sub>B</sub> | 10 ... 30 V DC               |
| Power consumption | P <sub>0</sub> | ≤ 3.6 W (without read heads) |

#### Interface 1

## Technical Data

|                                   |  |
|-----------------------------------|--|
| Connection of                     | control system   |
| Interface type                    | Ethernet; 100 BASE-TX  |
| Protocol                          | EtherCAT   |
| Transfer rate                     | 100 MBit/s   |
| Data output format                | binary code  |
| <b>Interface 2</b>                |  |
| Connection of                     | control system   |
| Interface type                    | Ethernet; 100 BASE-TX  |
| Protocol                          | EtherCAT   |
| Transfer rate                     | 100 MBit/s   |
| Data output format                | binary code  |
| <b>Interface 3</b>                |  |
| Connection of                     | Read head  |
| Connectable read heads            | WCS...-LS121 , WCS...-LS221  |
| Interface type                    | RS-485   |
| Protocol                          | half duplex  |
| Transfer rate                     | 62.5 kBit/s  |
| RS485 termination resistor        | switchable   |
| Refresh cycle of read head        | 1 ms   |
| <b>Standard conformity</b>        |  |
| Emitted interference              | EN 55011, cl. A: 2007  |
| Noise immunity                    | EN 61000-6-2:2005  |
| <b>Approvals and certificates</b> |  |
| EAC conformity                    | TR CU 020/2011   |
| CCC approval                      | CCC approval / marking not required for products rated $\leq 36$ V   |
| <b>Ambient conditions</b>         |  |
| Operating temperature             | -25 ... 85 °C (-13 ... 185 °F) , no moisture condensation  |
| Storage temperature               | -40 ... 85 °C (-40 ... 185 °F)   |
| Relative humidity                 | $\leq 80$ %  |
| <b>Mechanical specifications</b>  |  |
| Connection type                   | Interface 1 & 2: RJ-45 socket, 8-pin<br>Interface 3: terminal connection $\leq 2.5$ mm <sup>2</sup><br>Interface 4: Terminal connection, 2-pin |
| Housing width                     | 23 mm  |
| Housing height                    | 100 mm (without plug-in screw connector)<br>111 mm (incl. plug-in screw connector)   |
| Housing depth                     | 115 mm   |
| Degree of protection              | IP20   |
| Material                          | plastic  |
| Installation position             | any position   |
| Mass                              | approx. 130 g  |

Release date: 2020-03-24 Date of issue: 2020-09-30 Filename: 283340\_eng.pdf

Refer to "General Notes Relating to Pepperl+Fuchs Product Information".

Pepperl+Fuchs Group  
www.pepperl-fuchs.com

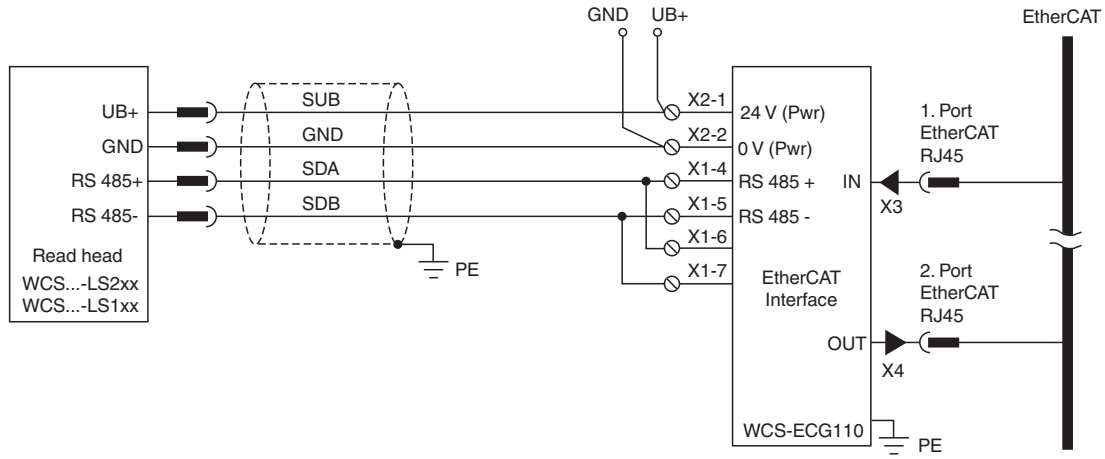
USA: +1 330 486 0001  
fa-info@us.pepperl-fuchs.com

Germany: +49 621 776 1111  
fa-info@de.pepperl-fuchs.com

Singapore: +65 6779 9091  
fa-info@sg.pepperl-fuchs.com

 PEPPERL+FUCHS

Connection



Release date: 2020-03-24 Date of issue: 2020-09-30 Filename: 283340\_eng.pdf

Refer to "General Notes Relating to Pepperl+Fuchs Product Information".

Pepperl+Fuchs Group  
www.pepperl-fuchs.com

USA: +1 330 486 0001  
fa-info@us.pepperl-fuchs.com

Germany: +49 621 776 1111  
fa-info@de.pepperl-fuchs.com

Singapore: +65 6779 9091  
fa-info@sg.pepperl-fuchs.com