

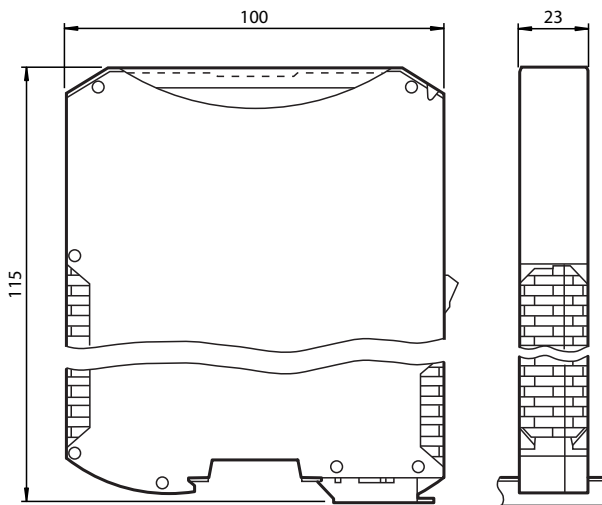
WCS interface module WCS-ECG410

- Up to 4 read heads can be connected
- DIN rail mounting
- Integrated switch
- EtherCAT interface
- Measuring length max. 629 m
- Max. measurement length 629 m

WCS interface module with EtherCAT interface



Dimensions



Technical Data

General specifications

Installation DIN rail mounting

Functional safety related parameters

| | |
|--------------------------------|-------|
| MTTF _d | 180 a |
| Mission Time (T _M) | 10 a |
| Diagnostic Coverage (DC) | 0 % |

Electrical specifications

| | | |
|-------------------|----------------|------------------------------|
| Operating voltage | U _B | 10 ... 30 V DC |
| Power consumption | P ₀ | ≤ 3.6 W (without read heads) |

Interface 1

Technical Data

| | |
|-----------------------------------|---|
| Connection of | control system |
| Interface type | Ethernet; 100 BASE-TX |
| Protocol | EtherCAT |
| Transfer rate | 100 MBit/s |
| Data output format | binary code |
| Interface 2 | |
| Connection of | control system |
| Interface type | Ethernet; 100 BASE-TX |
| Protocol | EtherCAT |
| Transfer rate | 100 MBit/s |
| Data output format | binary code |
| Interface 3 | |
| Connection of | WCS read heads |
| Connectable read heads | WCS...-LS121 , WCS...-LS221 , WCS3B-LS1/2**ES with option ES (Extended Protocol up to 628 m) |
| Interface type | RS-485 |
| Protocol | half duplex |
| Transfer rate | 62.5 kBit/s |
| RS485 termination resistor | switchable |
| Refresh cycle of read head | 1 ms / 10 ms (with extended WCS read head) |
| Standard conformity | |
| Emitted interference | EN 55011, cl. A: 2007 |
| Noise immunity | EN 61000-6-2:2005 |
| Approvals and certificates | |
| EAC conformity | TR CU 020/2011 |
| CCC approval | CCC approval / marking not required for products rated ≤36 V |
| Ambient conditions | |
| Operating temperature | -25 ... 85 °C (-13 ... 185 °F) , no moisture condensation |
| Storage temperature | -40 ... 85 °C (-40 ... 185 °F) |
| Relative humidity | ≤ 80 % |
| Mechanical specifications | |
| Connection type | Interface 1 & 2: RJ-45 socket, 8-pin Interface 3: terminal connection ≤ 2.5 mm ² Interface 4: Terminal connection, 2-pin |
| Housing width | 23 mm |
| Housing height | 100 mm (without plug-in screw connector) 111 mm (incl. plug-in screw connector) |
| Housing depth | 115 mm |
| Degree of protection | IP20 |
| Material | plastic |
| Installation position | any position |
| Mass | approx. 130 g |

Release date: 2020-05-11 Date of issue: 2020-09-30 Filename: 70100890_eng.pdf

Refer to "General Notes Relating to Pepperl+Fuchs Product Information".

Pepperl+Fuchs Group
www.pepperl-fuchs.com

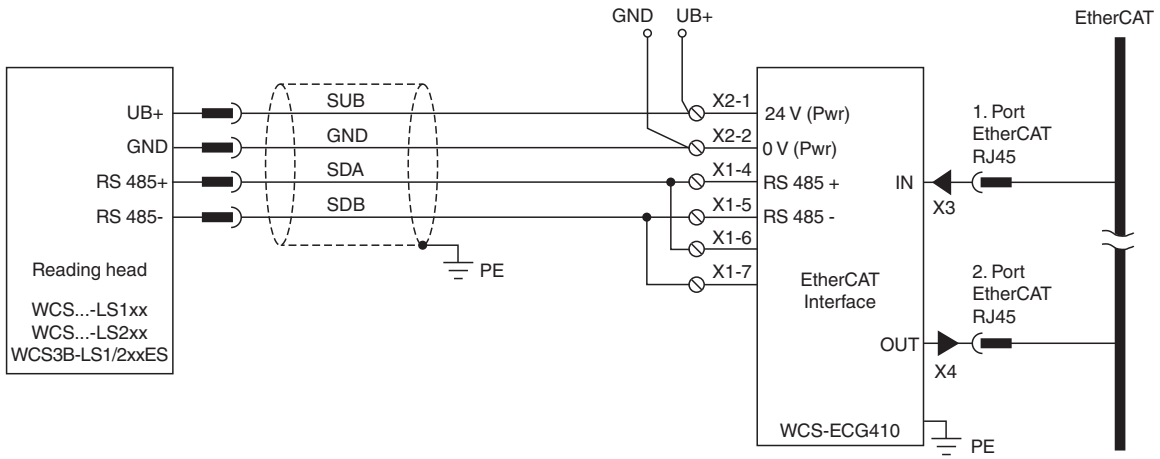
USA: +1 330 486 0001
fa-info@us.pepperl-fuchs.com

Germany: +49 621 776 1111
fa-info@de.pepperl-fuchs.com

Singapore: +65 6779 9091
fa-info@sg.pepperl-fuchs.com

 **PEPPERL+FUCHS**

Connection



Release date: 2020-05-11 Date of issue: 2020-09-30 Filename: 70100890_eng.pdf