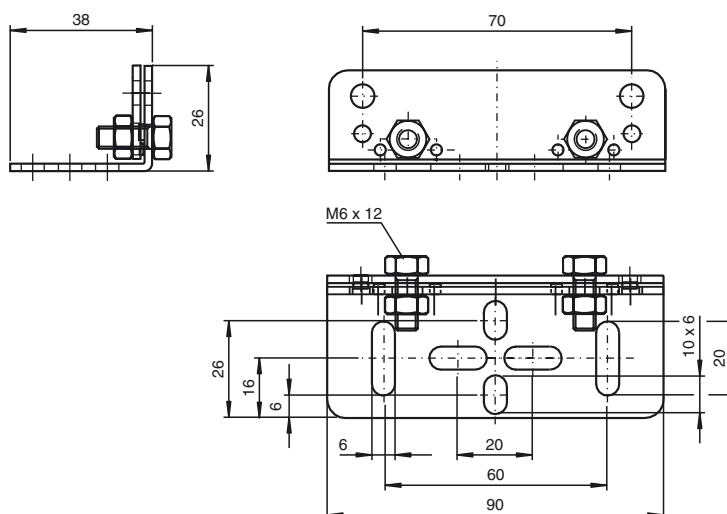




Dimensions



Model number

WCS-MB

Mounting bracket, straight

Features

- Mounting bracket for code rail, straight

Matching system components

WCS2-CS55-L1

Laminate type, 55 mm

WCS2-CS55-M1

Stainless steel type, 55 mm

WCS2-CS70-L1

Laminate type, 70 mm

WCS2-CS70-M1

Stainless steel type, 70 mm

WCS3-CS70-L*

Code rail, polyester laminate

WCS3-CS70-M1

Code rail, stainless steel

WCS3-CS70-M1-1000FT

Code rail, stainless steel

Technical data

Ambient conditions

Ambient temperature	-40 ... 100 °C (-40 ... 212 °F)
---------------------	---------------------------------

Mechanical specifications

Material thickness	2 mm
Material	Metal sheet (steel), zinc-plated
Mass	125 g