

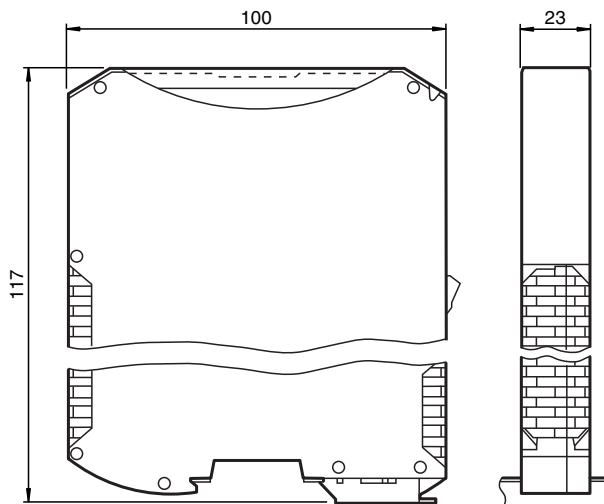
WCS interface module WCS-PG410

- Up to 4 read heads can be connected
- DIN rail mounting
- Integrated switch
- PROFIBUS interface
- Measuring length max. 629 m

WCS Profibus interface module



Dimensions



Technical Data

General specifications

Installation: DIN rail mounting

Functional safety related parameters

MTTF _d	180 a
Mission Time (T _M)	10 a
Diagnostic Coverage (DC)	0 %

Technical Data

Electrical specifications

Operating voltage	U_B	10 ... 30 V DC
Power consumption	P_0	≤ 3.6 W (without read heads)

Interface 1

Connection of		control system
Interface type		PROFIBUS DP V1
Transfer rate		max. 12 MBit/s , Automatic baud rate detection
Data output format		binary code
Bus termination resistor		switchable

Interface 2

Connection of		WCS read heads
Connectable read heads		WCS...-LS121 , WCS...-LS221 , WCS3B-LS1/2**ES with option ES (Extended Protocol up to 628 m)
Interface type		RS-485
Transmission method		half duplex
Transfer rate		62.5 kBit/s
RS485 termination resistor		switchable
Refresh cycle of read head		1 ms / 10 ms (with extended WCS read head)

Standard conformity

Emitted interference		EN 55011, cl. A: 2007
Noise immunity		EN 61000-6-2:2005

Approvals and certificates

EAC conformity		TR CU 020/2011
CCC approval		CCC approval / marking not required for products rated ≤36 V

Ambient conditions

Operating temperature		-40 ... 85 °C (-40 ... 185 °F) , no moisture condensation
Storage temperature		-40 ... 85 °C (-40 ... 185 °F)
Relative humidity		≤ 80 %

Mechanical specifications

Connection type		Interface 1: 9-pin Sub-D connector Interface 2: terminal connection ≤ 2.5 mm ² Interface 3: Terminal connection, 2-pin
Housing width		23 mm
Housing height		100 mm (without plug-in screw connector) 111 mm (incl. plug-in screw connector)
Housing depth		117 mm
Degree of protection		IP20
Material		plastic
Installation position		any position
Mass		approx. 130 g

Release date: 2020-04-24 Date of issue: 2020-04-24 Filename: 70100861_eng.pdf

Refer to "General Notes Relating to Pepperl+Fuchs Product Information".

Pepperl+Fuchs Group
www.pepperl-fuchs.com

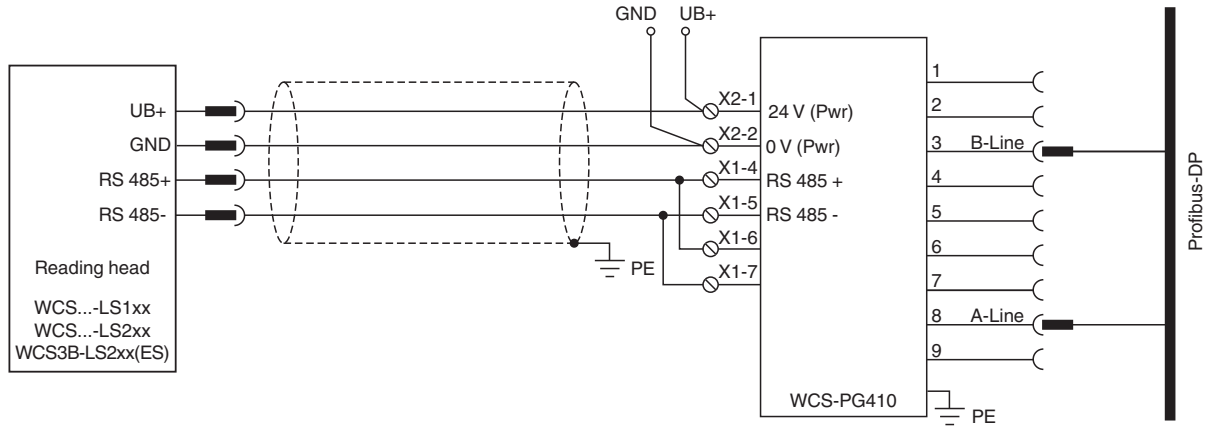
USA: +1 330 486 0001
fa-info@us.pepperl-fuchs.com

Germany: +49 621 776 1111
fa-info@de.pepperl-fuchs.com

Singapore: +65 6779 9091
fa-info@sg.pepperl-fuchs.com

 PEPPERL+FUCHS

Connection



Release date: 2020-04-24 Date of issue: 2020-04-24 Filename: 70100861_eng.pdf