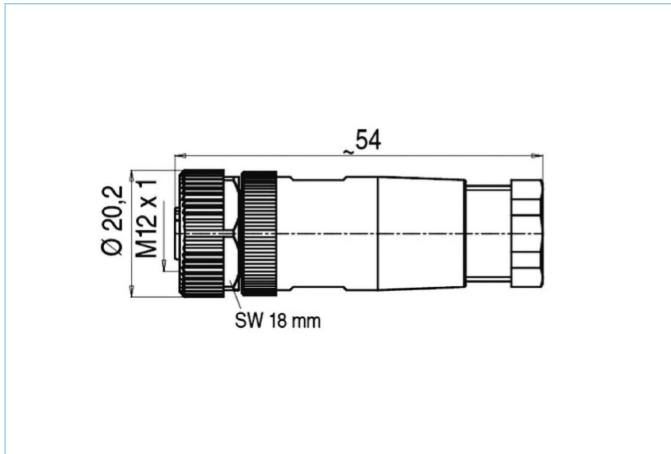


Field-wireable, M12, female, straight, 5 poles, screw-/clamp contact, 60V 4A



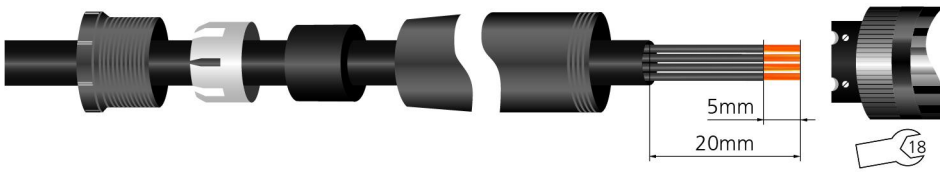
Product data

Item description	WAKC5K
Item-No.	8004815
Customs tariff-No.	85366990
Step-File	WAKC5K.stp
EAN	4047106108175

Technical data

Connector	female, straight, M12
Number of pins	5
Coding	A
Rated voltage	60V
Current load per pin (at 40°C)	4A
Insulation resistance	≥10 ⁹ Ω
Resistance	≤ 8mΩ
Ambient temperature product	-40°C...+85°C
Contact material	Metal, CuZn, CuSnZn
Contact-carrier material	Plastic, PA, BK
Grip body material	Plastic, PA, BK
Coupling nut material	Metal, GD-ZN, nickel-plated
Connecting cross-section	max. 0,75 mm ²
Cable outlet	4...6 mm
Connecting type	Screw-/clamp contact
Standards	IEC 61076-2-101
Degree of protection (mounted)	IP67
Mechanical life-cycle	>50 mating cycles
Degree of pollution	3
Style	straight

Manual



Classification

eCl@ss 6.0	27260702
eCl@ss 7.0	27440102
eCl@ss 8.0	27440102
eCl@ss 9.0	27440102
ETIM 5.0	EC002635
ETIM 6.0	EC002635

Link to product

<https://www.escha.net/en/products/standard/field-wireable-connectors/8004815>