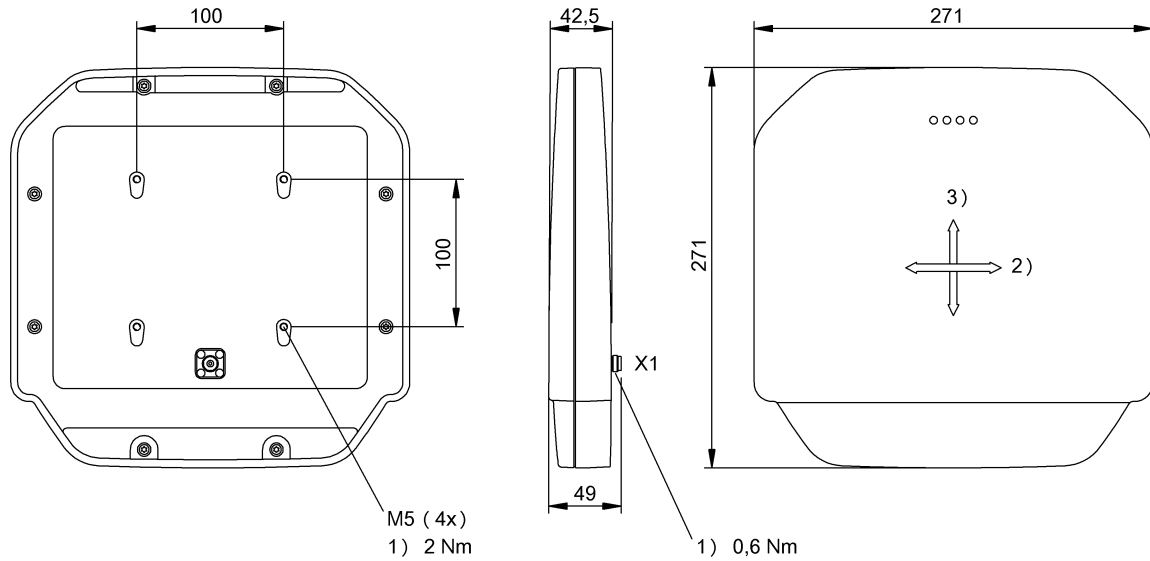


UHF (860...960 MHz)  
**BIS U-302-C0-TNCB**  
**Order Code: BIS00TZ**

**BALLUFF**



1) Tightening torque, 2) horizontal, 3) vertical

**Basic features**

<b>Antenna type</b>	Patch
<b>Principle of operation</b>	Antenna

**Electrical connection**

<b>Connection</b>	TNC-Female
-------------------	------------

**Electrical data**

<b>Antenna gain</b>	8.5 dBic
<b>Antenna impedance</b>	50 Ohm
<b>Front-to-back ratio</b>	≥ 18 dB
<b>Permissible radiated power</b>	ETSI EN 302208 ≤ 2 W ERP
<b>Polarization</b>	circular
<b>VSWR (voltage standing wave ratio)</b>	≤ 1.2:1
<b>Working frequency</b>	865...868 MHz

**Environmental conditions**

<b>Ambient temperature</b>	-20...55 °C
<b>Continuous shock load</b>	yes
<b>EN 60068-2-27, Shock</b>	yes
<b>EN 60068-2-6, Vibration</b>	yes
<b>IP rating</b>	IP65, with connector
<b>Storage temperature</b>	-40...85 °C

**Material**

<b>Housing material</b>	Aluminum, Antenna hood: Polymer blend
-------------------------	--

**Mechanical data**

<b>Application weight</b>	1700.00 g
<b>Dimension</b>	271 x 42.5 x 271 mm

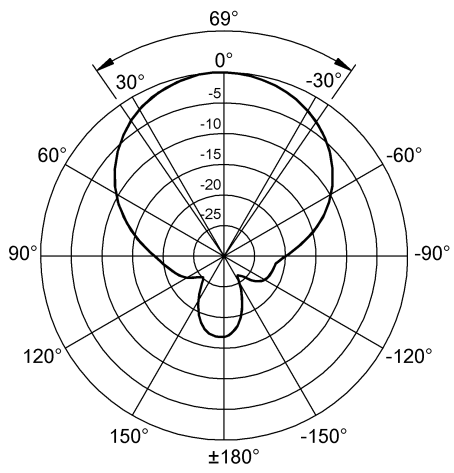
**Range/Distance**

<b>Axial ratio</b>	typ. 1 dB
<b>Opening angle min.</b>	69° x 69°

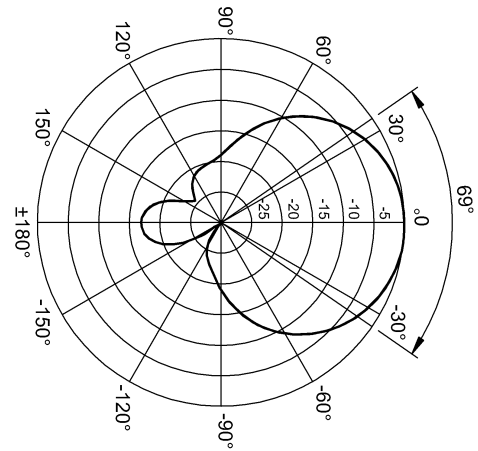
**Remarks**

When installing, the technical standards and regulations of the corresponding countries must be observed.  
 Values are under rated conditions unless otherwise specified.  
 For basic equipment: Accessories see [www.balluff.com](http://www.balluff.com)

## Technical Drawings



1)



2)

- 1) Radiation diagram horizontal
- 2) Radiation diagram vertical