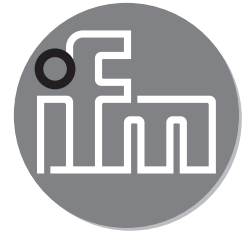


ifm electronic



Operating instructions
optical angle sensor

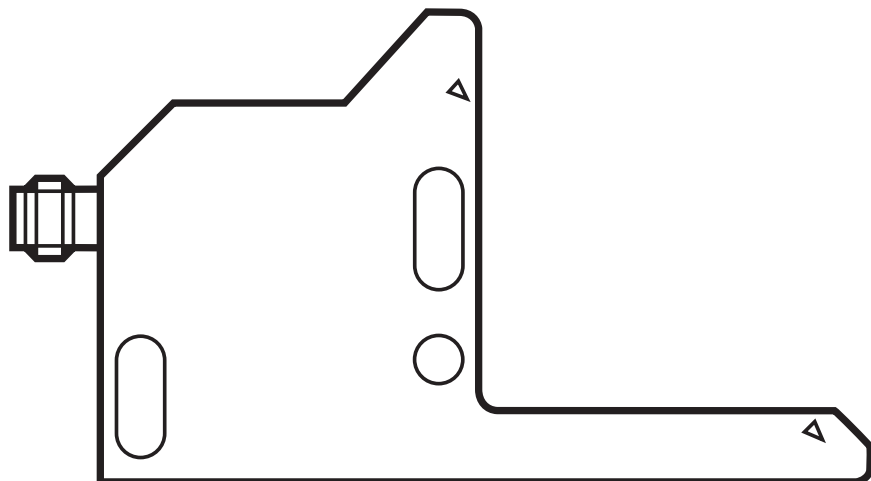
efector200[®]

OPL204

OPL205

UK

OPL204 / 01 12 / 2010



1 Preliminary note

1.1 Symbols used

▶ Instruction

> Reaction, result

→ Cross-reference



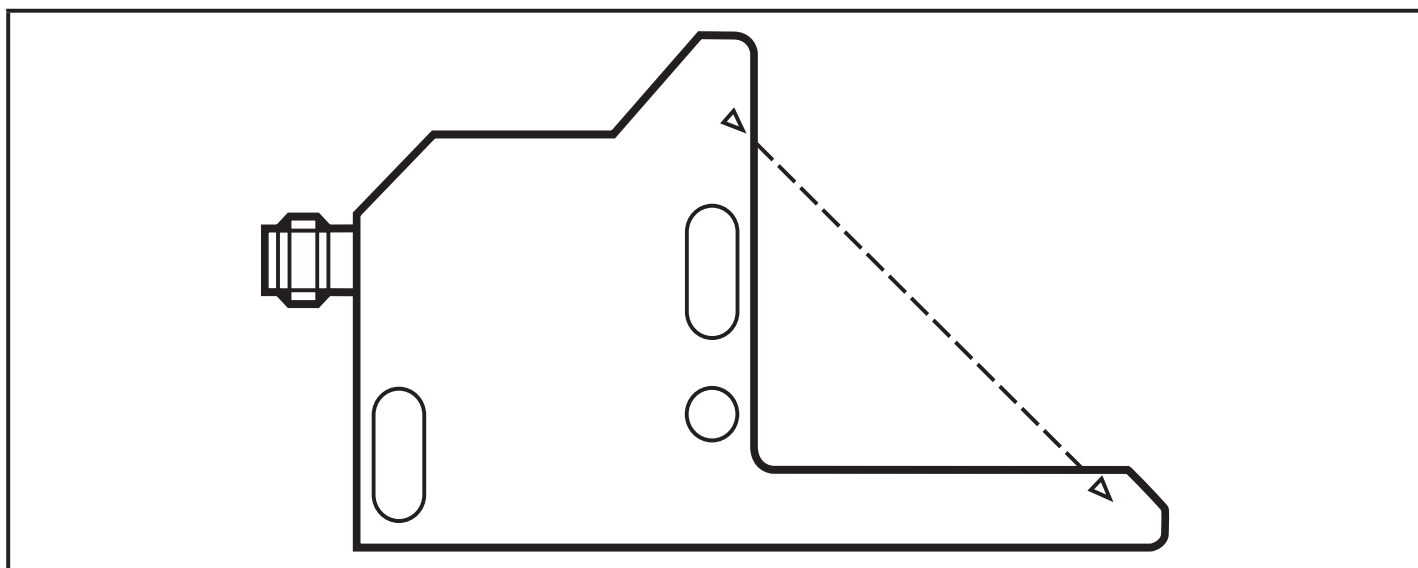
Important note

Non-compliance can result in malfunctions or interference.

2 Functions and features

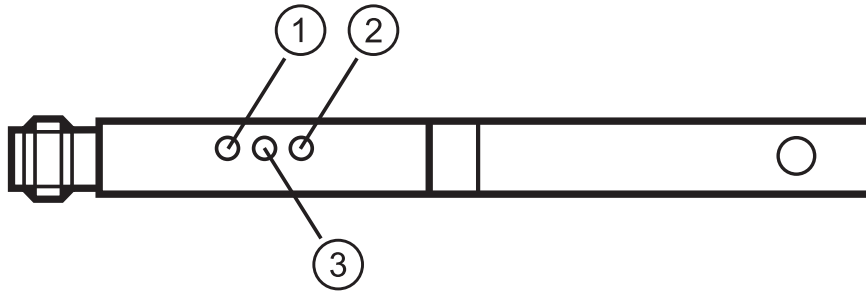
The optical angle sensor detects objects and materials without contact and indicates their presence by a switching signal.

3 Installation



▶ Secure the optical angle sensor (OPL...) to a bracket.

4 Operating and display elements



- 1: LED yellow function check
- 2: LED yellow switching status
- 3: LED green operation indication

UK

5 Electrical connection



The unit must be connected by a qualified electrician.

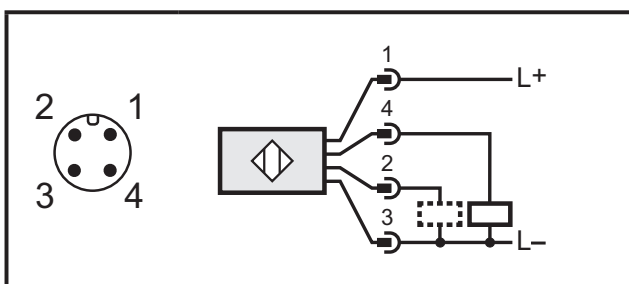
- ▶ The national and international regulations for the installation of electrical equipment must be adhered to.
- ▶ Ensure voltage supply to EN 50178, SELV, PELV.

The following indications apply if there is a UL listing mark on the product:

- ▶ For use in NFPA 79 applications only. Adapters providing field wiring means are available from the manufacturer. Refer to manufacturers information.
- ▶ The device shall be supplied from an isolating transformer having a secondary Listed fuse rated
 - a) max 5 amps for voltages 0...20 Vrms (0...28.3 Vp) or
 - b) 100/Vp for voltages of 20...30 Vrms (28.3...42.4 Vp).

- ▶ Disconnect power.
- ▶ Connect the unit as follows:

DC PNP



6 Operation

- ▶ Check whether the unit operates correctly.
- > The yellow LED is lit when the output is switched.

7 Maintenance, repair, disposal

- ▶ Keep the lens of the sensor free from soiling.
- ▶ For cleaning do not use any solvents or cleaning agents which could damage the lens.
- ▶ After use dispose of the unit in an environmentally friendly way in accordance with the applicable national regulations.

Faulty sensors must only be repaired by the manufacturer.

Technical data and further information at
www.ifm.com → Select your country → Data sheet direct:

